



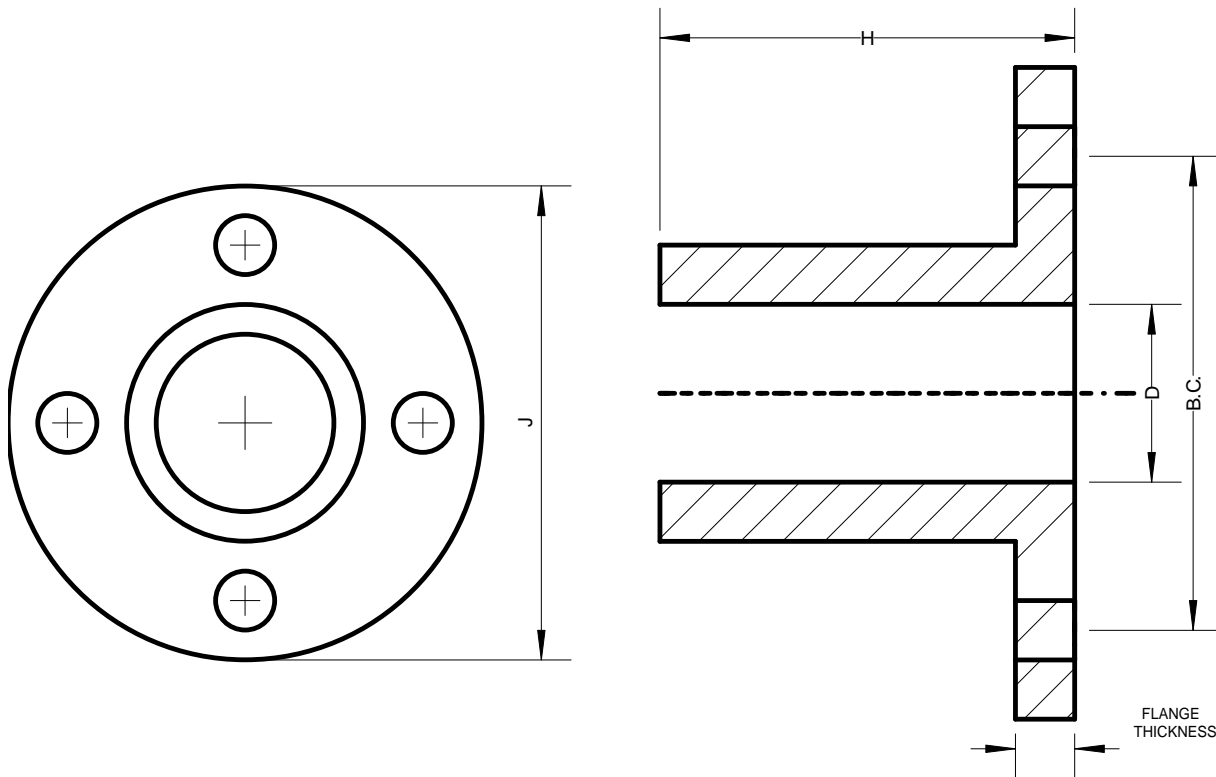
Industrial Linings, Inc.

8475 Bellingrath Road
Phone: 251-653-5052

PO Box 190580
Fax: 251-653-7367

Mobile, AL 36619
Toll Free: 800-350-0795

FRP FULL FACED DRILLED FLANGE



| D | J | H | B.C. | No. of Bolts | Bolt Diameter | Hole Diameter |
|--------|--------|----|--------|--------------|---------------|---------------|
| P" | 4-1/4 | 12 | 3-1/8 | 4 | 1/2 | 5/8 |
| 1-1/4" | 4-5/8 | 12 | 3-1/2 | 4 | 1-2 | 5/8 |
| 1-1/2" | 5 | 12 | 3-7/8 | 4 | 1/2 | 5/8 |
| 2" | 6 | 12 | 4-3/4 | 4 | 5/8 | 3/4 |
| 2-1/2" | 7 | 12 | 5-1/2 | 4 | 5/8 | 3/4 |
| 3" | 7-1/2 | 12 | 6 | 4 | 5/8 | 3/4 |
| 3-1/2" | 8-1/2 | 12 | 7 | 8 | 5/8 | 3/4 |
| 4" | 9 | 12 | 7-1/2 | 8 | 5/8 | 3/4 |
| 6" | 11 | 12 | 9-1/2 | 8 | 3/4 | 7/8 |
| 8" | 13-1/2 | 12 | 11-3/4 | 8 | 3/4 | 7/8 |
| 10" | 16 | 12 | 14-1/4 | 12 | 7/8 | 1 |
| 12" | 19 | 12 | 17 | 12 | 7/8 | 1 |
| 14" | 21 | 12 | 18-3/4 | 12 | 1 | 1-1/8 |
| 16" | 23-1/2 | 12 | 21-1/4 | 16 | 1 | 1-1/8 |
| 18" | 25 | 12 | 22-3/4 | 16 | 1-1/8 | 1-1/4 |
| 20" | 27-1/2 | 12 | 25 | 20 | 1-1/8 | 1-1/4 |
| 24" | 32 | 12 | 29-1/2 | 20 | 1-1/4 | 1-3/8 |
| 30" | 38-3/4 | 12 | 36 | 20 | 1-1/4 | 1-3/8 |
| 36" | 46 | 12 | 42-3/4 | 32 | 1-1/2 | 1-5/8 |
| 42" | 53 | 12 | 49-1/2 | 36 | 1-1/2 | 1-5/8 |